



■ Features

- Compact design mixed flow fan for homes, apartments or similar premises.
- Also designed for heat transfer between rooms.

■ Motors

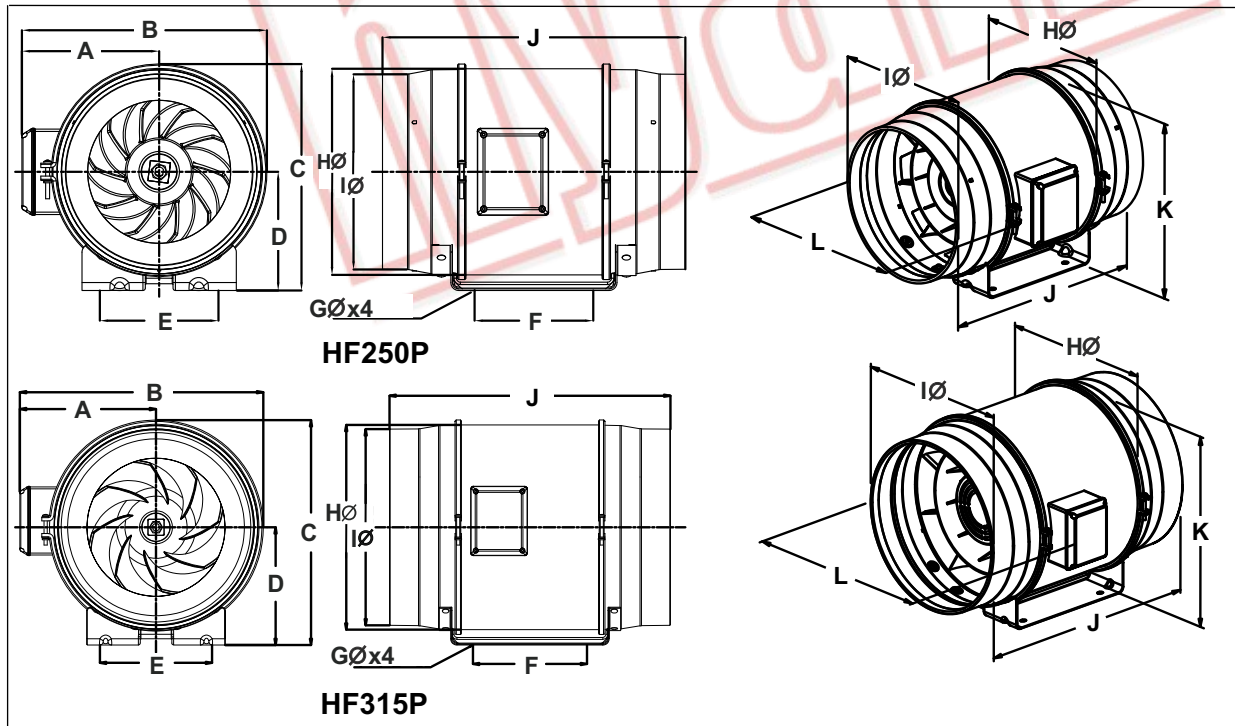
- Electricity supply - 220-240V, single phase, 50 Hz
- Ball Bearings for all models
- IP44 protection class.
- Operating temperature range: - 20° - 60°C
- With CE, PSE, SAA, UKCA certification.

■ Construction

- Casings are injection moulded plastic with integral mounting feet.
- Impeller are of mixed flow design.



■ DIMENSIONS (mm)



■ DIMENSIONS (mm)

Model	A	B	C	D	E	F	GØ	HØ	IØ	J	K	L
HF 250P	174	310	286	150	150	150	8*11	261	247	383	286	249
HF 315P	216	386	357	187	178	181	8*11	325	312	446	357	386

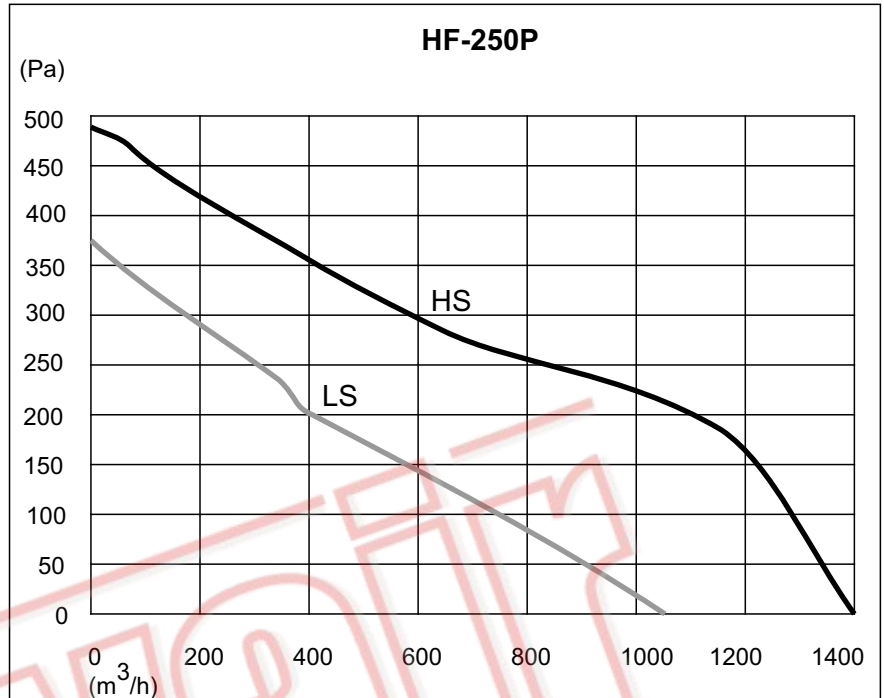
Mixed Flow In-Line Tube Fan HF 250P/315P Series



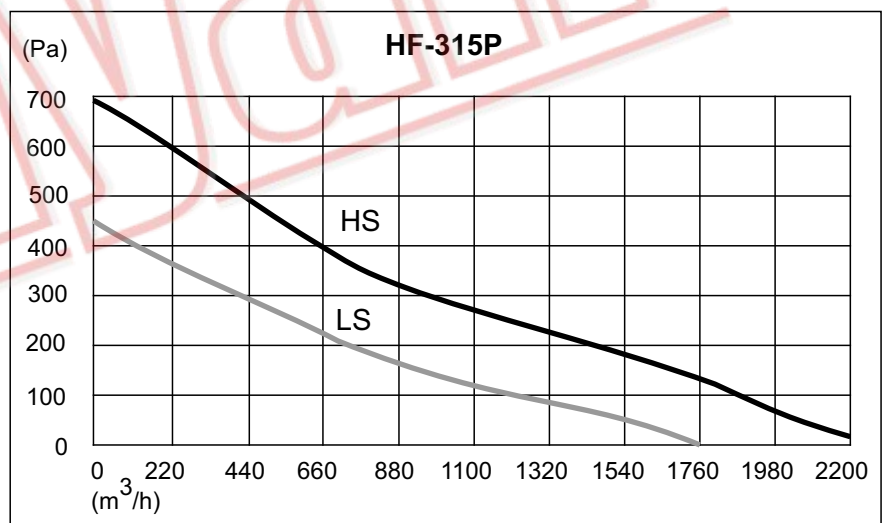
B
I
N
-
L
I
N
E
F
A
N
S

PERFORMANCE

Low Speed		High Speed	
PA	CMH	PA	CMH
371	0	488	0
347	65	469	72
227	369	434	155
211	383	300	593
178	494	269	723
132	633	245	883
77	827	207	1077
36	963	166	1204
0	1064	0	1405



Low Speed		High Speed	
PA	CMH	PA	CMH
435	0	693	0
269	478	397	666
255	514	384	696
154	883	291	974
122	1025	214	1345
68	1361	119	1752
36	1526	54	1974
0	1750	0	2206



TECHNICAL DATA

Model	V/Hz	Speed	Current (Amps)	Power (W)	RPM	Airflow (m³/h)	Pa	Kg
HF-250P	220-240/50	H	1.20	225	2450	1405	488	7.5
		L	0.75	165	1850	1064	371	
HF-315P	220-240/50	H	1.90	390	2350	2206	693	11.0
		L	1.40	275	1650	1750	435	